

MOTOPLASTIC, S.A.

Molí de la sal, 1 - 08400 Granollers (Barcelona) SPAIN

Tel. 34 93 849 06 33 - Fax 34 93 849 09 88

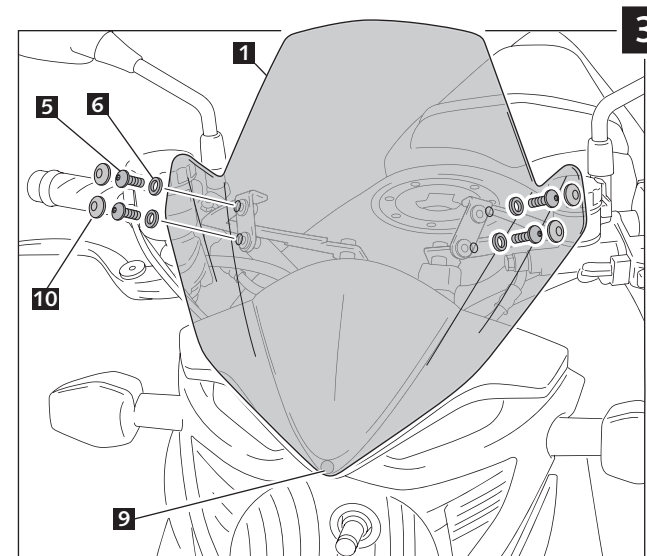
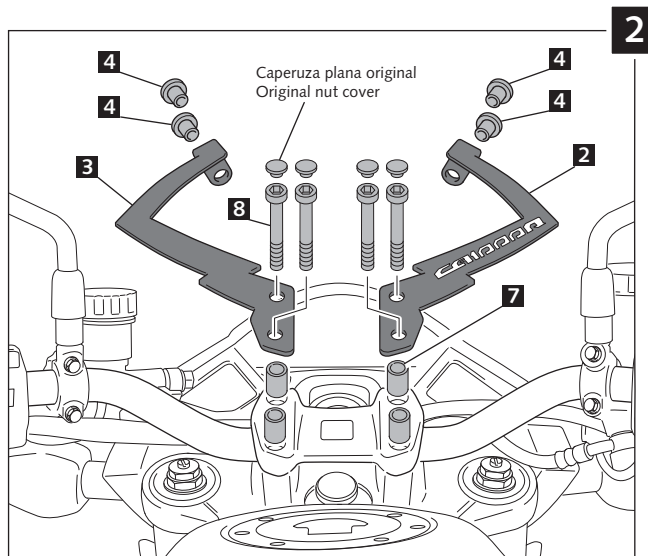
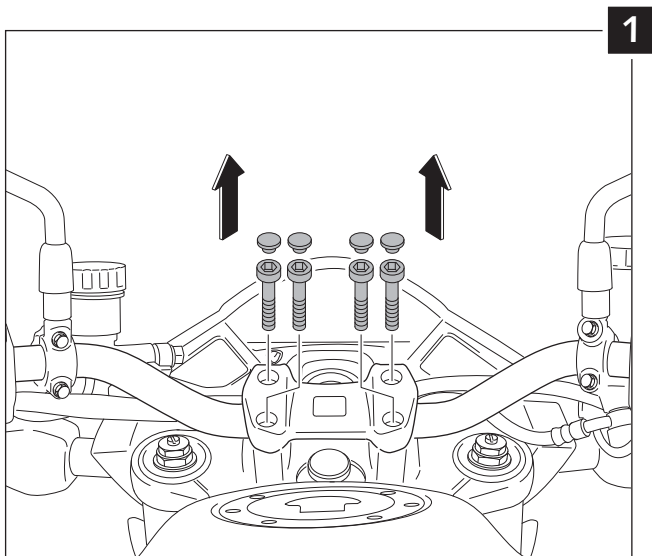
info@motoplastic.com








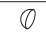


www.puig.tv

## INSTRUCCIONES DE MONTAJE - MOUNTING INSTRUCTIONS

### CARENABRÍS ADAPTABLE A - WINDSHIELD ADAPTABLE TO HONDA CB1000R 08'-10'

Ref.: 4673



| ID. | DESCRIPCIÓN   | DESCRIPTION   | QTY. |
|-----|---|---|------|
| 1   |  Pantalla   | Screen  | 1    |
| 2   |  Soporte metálico derecho                                | Right metal support                                       | 1    |
| 3   |  Soporte metálico izquierdo                              | Left metal support  | 1    |
| 4   |  Silemblock M5 (se suministra montado en la pieza nº2-3) | M5 well nut (supplied already mounted on the piece nº2-3) | 4    |
| 5   |  Tornillo Allen M5x16 ISO 7380                           | M5x16 ISO 7380 allen screw                                | 4    |
| 6   |  Arandela nylon Ø5XØ11x1                                 | Ø5XØ11x1 nylon washer                                     | 4    |
| 7   |  Casquillo Ø ext.14 x Ø int. 8,5x18                      | Arrowhead Ø outer14 x Ø inner 8,5x18                      | 4    |
| 8   |  Tornillo Allen M8x50 DIN 912                            | M8x50 DIN 912 allen screw                                 | 4    |
| 9   |  Separador de silicona Ø12,7x3,5                         | Ø12,7x3,5 silicone delimiter                              | 1    |
| 10  |  Tapón tornillo M5 DIN 7380                              | M5 DIN 7380 screw cap                                     | 4    |